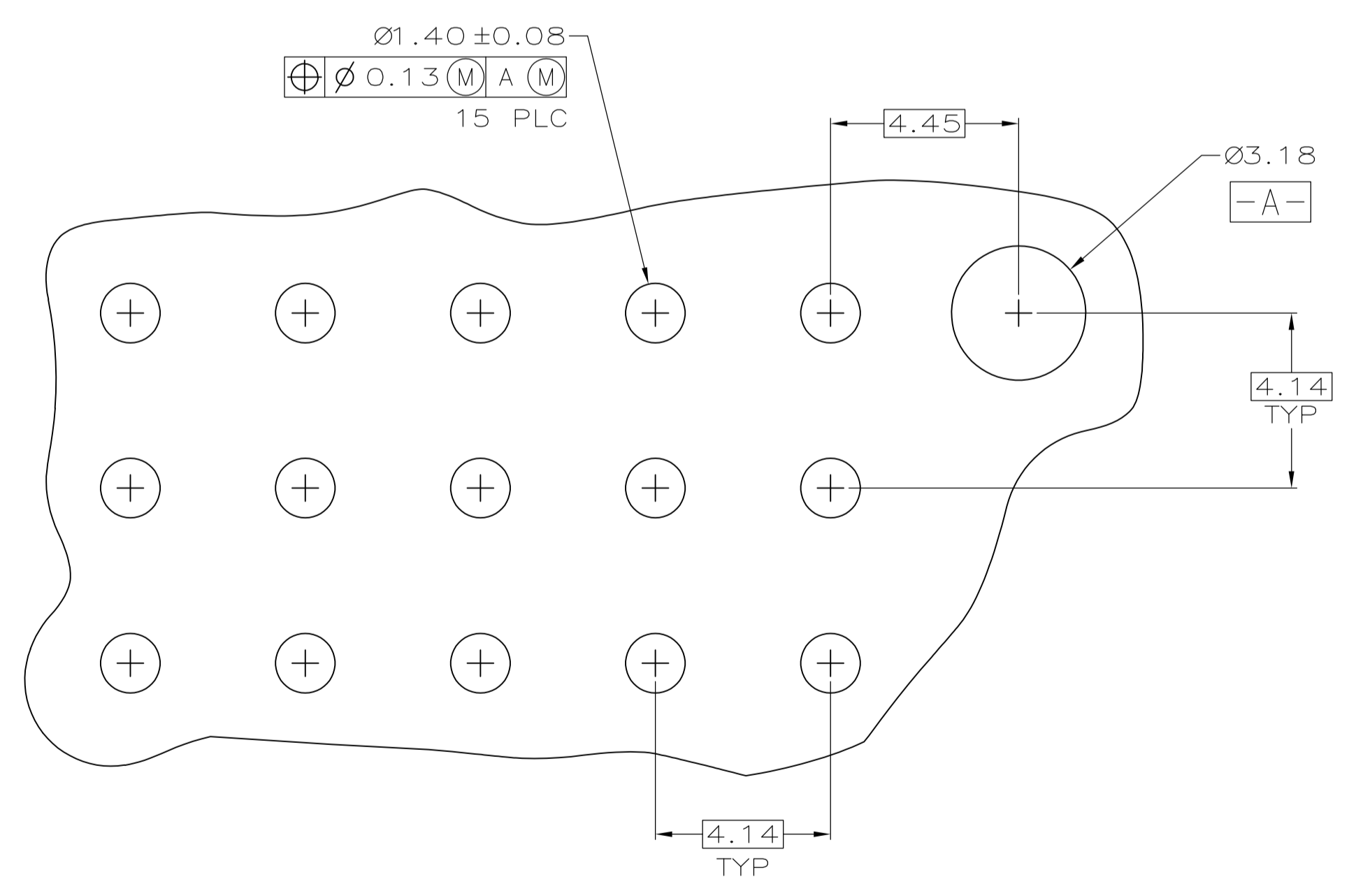
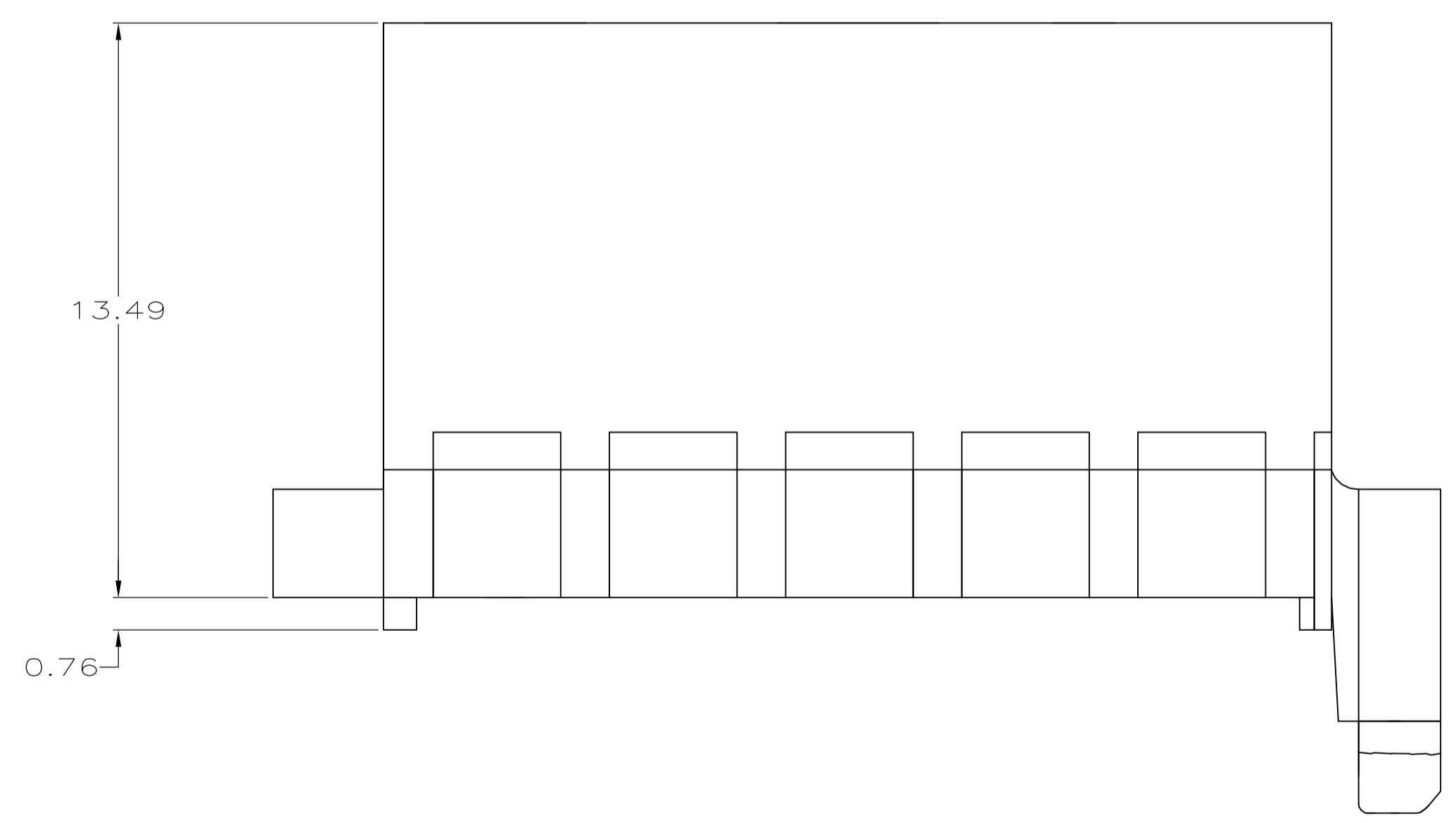
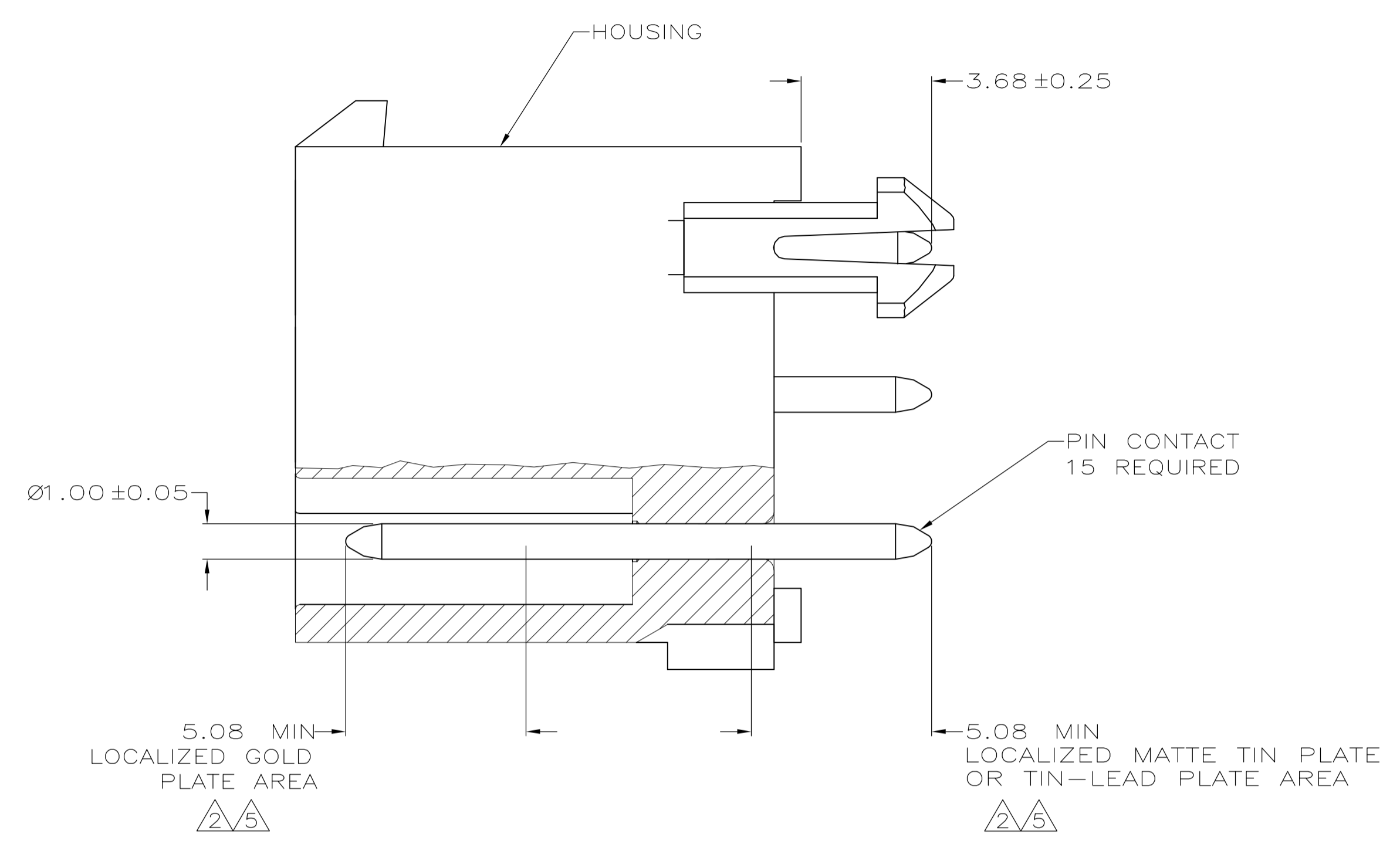
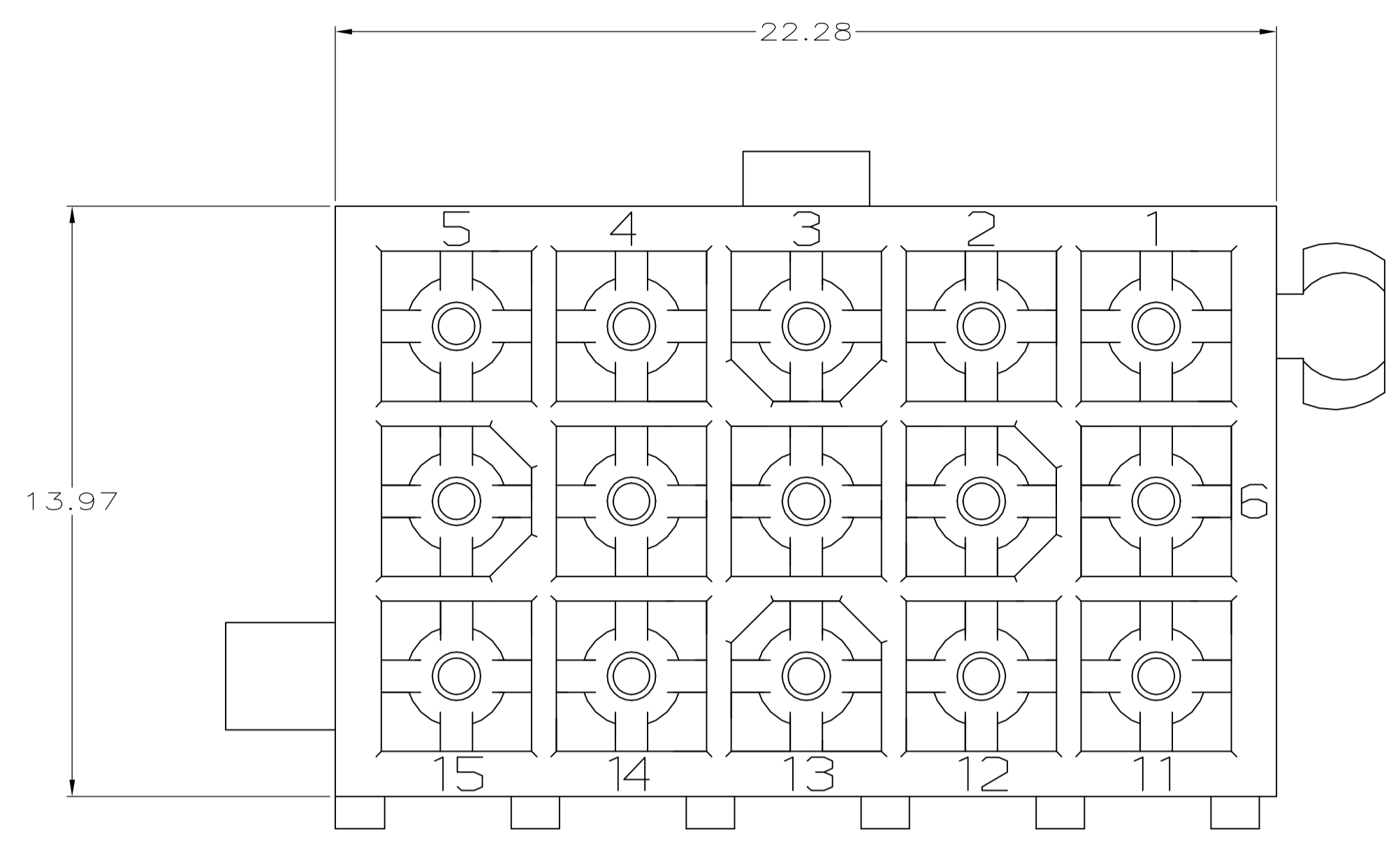


LOC		DIST		REVISIONS			
P	LTR	DESCRIPTION	DATE	OWN	APVD		
J		REVISED PER ECR-15-010337	23JUL2015	RK	SC		



RECOMMENDED MOUNTING HOLE PATTERN FOR 1.57 THICK P.C. BOARD

- PINS TO COMPLY WITH AMP SOLDERABILITY SPEC 109-11-3.
- 0.00076 MIN GOLD PLATE IN THE LOCALIZED PLATE AREA, 0.00381 MATTE TIN LEAD IN THE LOCALIZED PLATE AREA, BOTH OVER 0.00127 MIN NICKEL.
- 0.00381 MIN MATTE TIN LEAD OVER 0.00127 MIN NICKEL.
- 0.00381 MIN MATTE TIN OVER 0.00127 MIN NICKEL.
- 0.00076 MIN GOLD PLATE IN THE LOCALIZED PLATE AREA, 0.00381 MATTE TIN IN THE LOCALIZED PLATE AREA, BOTH OVER 0.00127 MIN NICKEL.

MATERIAL	FINISH	MATERIAL	COLOR	PART NO.
BRASS, GOLD	5	NYLON, UL94V-0	WHITE	1-770859-1
BRASS, TIN	4	NYLON, UL94V-0	WHITE	1-770859-0
BRASS, GOLD	2	NYLON, UL94V-0	WHITE	770859-2
BRASS, TIN-LEAD	3	NYLON, UL94V-0	WHITE	770859-1

THIS DRAWING IS A CONTROLLED DOCUMENT.

DIMENSIONS: mm	TOLERANCES UNLESS OTHERWISE SPECIFIED:	0 PLC ± -	1 PLC ± -	2 PLC ± 0.13	3 PLC ± -	4 PLC ± -	ANGLES ± -
----------------	--	-----------	-----------	--------------	-----------	-----------	------------

MATERIAL	FINISH	WEIGHT	SIZE	CAGE CODE	DRAWING NO	RESTRICTED TO
-	-	-	A1	00779	770859	-

CUSTOMER DRAWING SCALE 8:1 SHEET 1 OF 1 REV J

DBJUN05
S CARPENTER
29JUL2003
R JONES
29JUL2003
NAME
R JONES
PRODUCT SPEC
APPLICATION SPEC
SIZE
CAGE CODE
DRAWING NO
RESTRICTED TO

STE TE Connectivity
 HEADER ASSEMBLY, 15 CKT,
 DOUBLE ROW VERTICAL
 MINI UNIVERSAL MATE-N-LOK